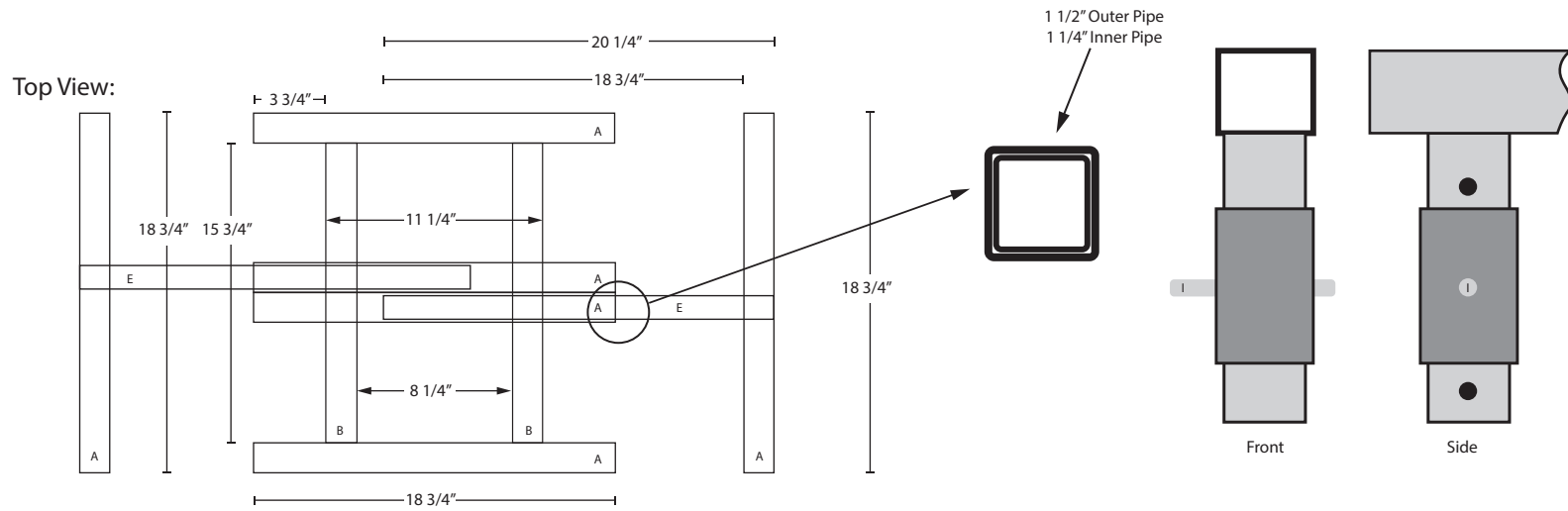
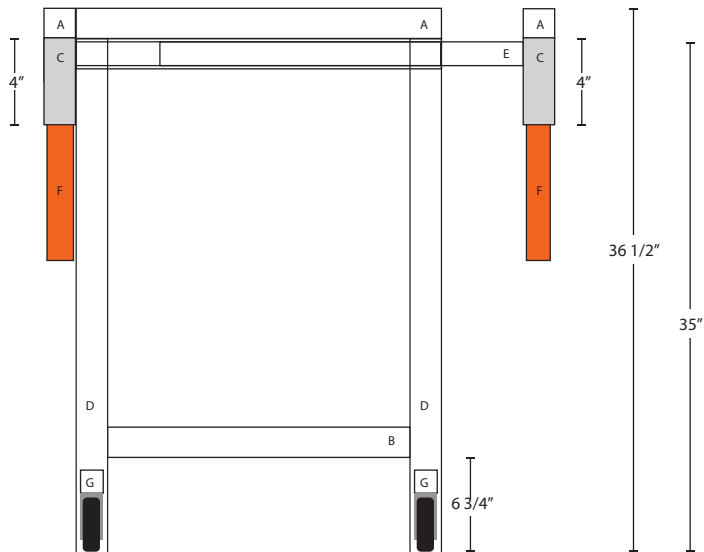


Chop Saw Stand

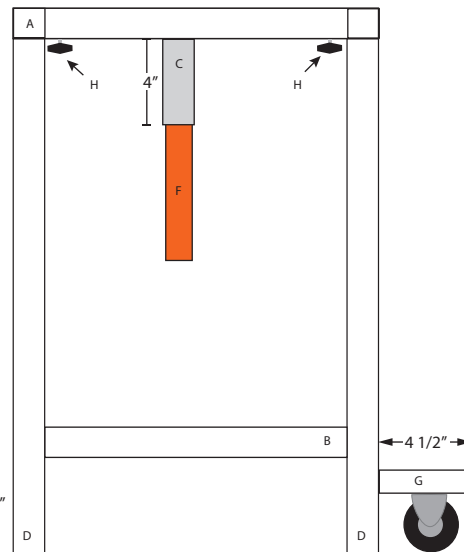
www.WeldFever.com
www.YouTube.com/WeldFever



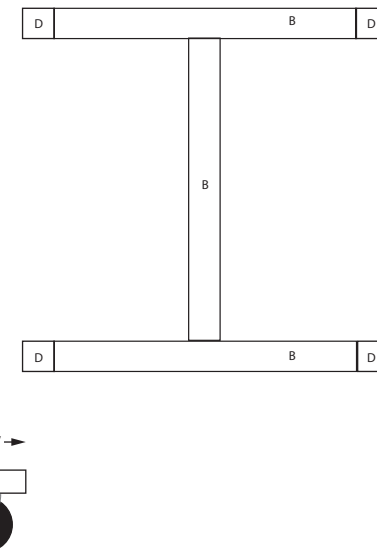
Front View:



Side View:



Bottom View (looking up):



Cut List:

1 1/2" Square Tubing

- A (6) 18 3/4" pieces
- B (3) 15 3/4" pieces
- C (2) 4" pieces
- D (4) 35" pieces

1 1/4" Tubing

- E (2) 18 3/4" pieces
- F (2) 12" pieces
- G (2) 4 1/2" pieces

Misc.

- H (2) Lock down knobs
- I (2) Cotter-less pins
- (2) 3/8" nuts
- (2) Caster plates
- (2) 4" casters